



**EINNOVA**

SOLARLINE

*All-in-one Balcony Solution*

## All-in-one Balcony Solar System Kit

### 800W PV System

The balcony PV system is a small PV power generation device specially designed for family balconies. It is composed of components such as PV panels, micro inverters, and installation components. It could convert solar energy into electrical energy and provide clean and renewable power for families. It has characteristics such as easy installation, high-efficiency power generation, safety and reliability, and intelligent management. It is especially suitable for families who hope to reduce energy costs and pursue an environmentally friendly lifestyle.



800W Microinverter

4 X 200W PV Panels



Eco-Friendly



High efficiency



MH



APP Control



## Apex Solar Power System



### Easy for Installation

70% Lighter



### Control Power with the Smart Life App

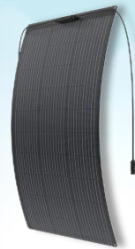


### 10 Year Guarantee



### IP67

Protection class



### NO

Installation Work Required

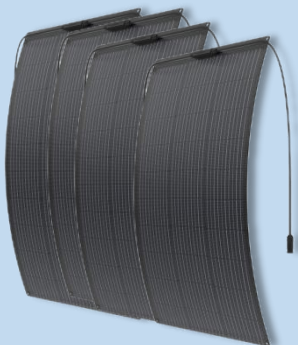


## High Solar Power Conversion Rate

Our flexible solar panels made up of high efficiency TOPCon N type solar cells could generate an average of 3kWh electricity per day. They offer a simple and stylish solution for the efficient production of green energy.



## What's in the Box



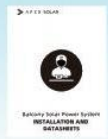
4 X 200W Flexible Solar Panel



800W Micro Inverter



36 Cable Ties



Installation Manual



5m AC Extension Cable and Connector



AC Junction Box



4x4.3m DC +/- Pole Extension Cable

## Light Weight Semi-Flexible Solar Module

**Pmax: 200W**



### Electrical Performance Parameter(STC)

Model	ESM-200W SF
Maximum power(Pmax)	200W
Power Tolerance	0~+5W
Maximum Power Voltage(Vmp)	32.77
Maximum Power Current(Imp)	6.11
Open-circuit Voltage(Voc)	37.25±3%
Short-circuit Current(Isc)	6.64±3%
Module Efficiency(%)	17.67%
STC:Irradiance 1000W/m <sup>2</sup> , solar cell temperature 25°C, AM=1.5.	
Cell Size and Type	1300*790*3mm
Cell Quantity	52pcs(4*13)
Dimension	1480*1130*980mm
Cable Length	700mm(can be customized)
Backsheet Color	Black
Junction Box Protection	IP67
Cable Size	2.0mm <sup>2</sup>
Glass Thickness	2.0mm
Weight	3.1kg±3%
Temperature co-efficient	
Cell nominal Operating Temperature	45±2°C
Current Temperature coefficient	+0.020%/°C
Voltage Temperature coefficient	-0.28%/°C
Power Temperature coefficient	-0.38%/°C
Maximum System Voltage	600VDC
Maximum Series Fuse Rating	20A
Operating Temperature	-40~+85°C
20HQ	896pcs(14pallets *64pcs/container)
40HQ	2048pcs(32pallets *64pcs/container)

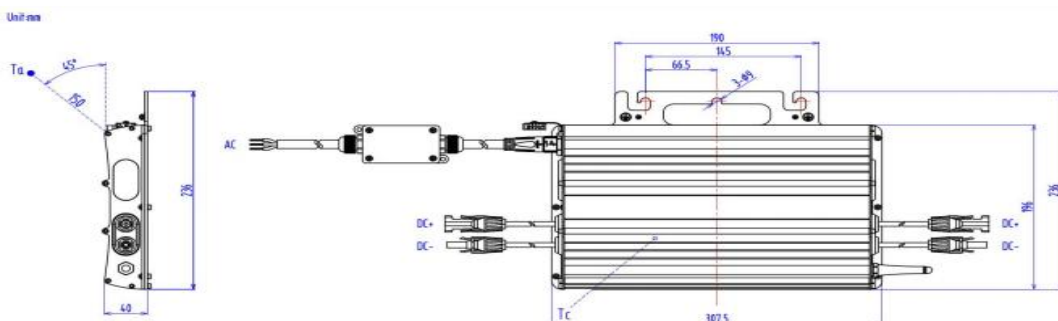
## 800W Micro Inverter



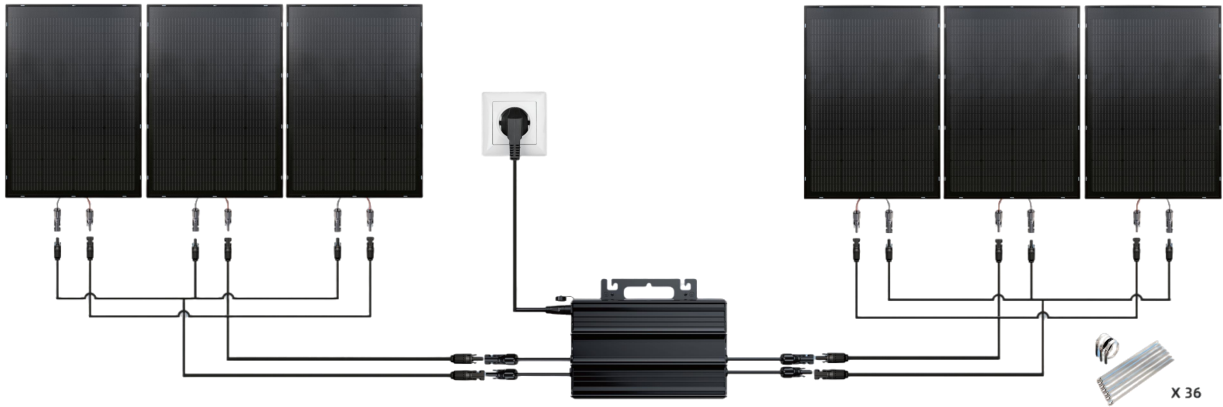
Model		BDN600-L	BDN800-L	BDN1000-L	BDN1100-L
Input Data (DC)	Commonly used module power(W)	600	800	1000	1100
	Peak power MPPT voltage range(V)	30-48			
	Start-up voltage range(V)	25			
	Operating voltage range(V)	25-60			
	Maximum input voltage(V)	60			
	Maximum input current (A)	13.0x2			
	Isc PV	16.25x2	16.25x2	16.25x2	16.25x2
Output Data(AC)	Max. apparent power SEmax(VA)	600	800	1000	1100
	Rated output power (VA)	550	700	900	1000
	Rated output current (A)	2.4	3.0	3.9	4.3
	Nominal output voltage(V)	230V/210-250Vac			
	Nominal frequency/range(Hz)	47.5-51.5			
	Power factor(Default/Adjustable)	>0.99/0.95leading...0.95lagging			
	Total harmonic distortion	<5%			
	Maximum units per branch <sup>2</sup>	8			
Efficiency	CEC pear efficiency	95.20%			
	CEC weighted efficiency	94.00%			
	Nominal MPPT efficiency	99.50%			
	Nighttime power consumption	<80mW			

Equipment Protection	DC Polarity Reverse Connection Protection	Yes (Within 10min)
	AC Output Over current Protection	Yes
	AC Output Over voltage Protection	Yes
	AC Output Short Circuit Protection	Yes
	Thermal Protection	Yes
	Power Network Monitoring	Yes
	Over voltage Load Drop Protection	Yes
Mechanical Data	Surge Protection Level	TYPE II(DC),TYPE II(AC)
	Ambient temperature range (°C)	-40~+65°C,Tc>80°C derating
	Permissible Ambient Humidity	0-100%
	Permissible Altitude	≤2000m
	Noise	≤ 25 dB
	Inverter Topology	Isolated
	Withstand voltage	Input-Output:1.5KVac;Input/Output-PE:0.5KVac
	Over Voltage Category	OVC II(DC),OVC III(AC)
	Dimensions (W × H × D)	307.5*236*40 mm
	Weight (KG)	4.2
	Warranty [year]	Standard 10 years,extended warranty
	Enclosure rating	Outdoor-NEMA (IP67)
	Cooling	Natural convection-No fans
Communication (Inverter To ECU)	WiFi	
DC Connector Type	MC4	
AC Connector Type	AC3P Connector II or three - core wire	
Compliance	Safety, EMC & Grid Compliance	EN 62109-1; EN 62109-2; EN 61000-6-1; EN61000-6-3;UNE217002,UNE206007-1,RD647,RD1699,R D413;CEI 0-21;VDE0126-1-1,VFR2019,UTEC15-712-1,ERDF-NOI-RES_13E; EN50549-1; VDE-AR-N 4105

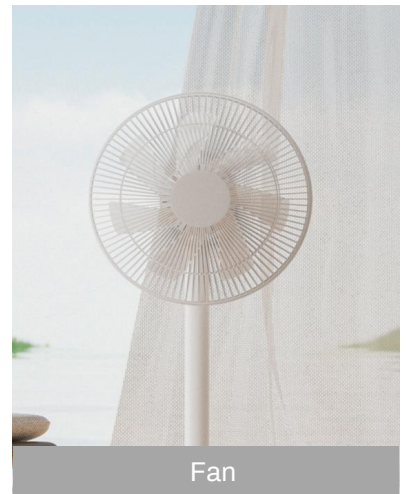
## Mechanical Size



- Plug & Plug
- Cost Saving



## Application Scenarios



## certificats



# Einnova Solarline - to be Your Trusted Partner!

## THANKS !



Office address:Block C,27th Floor,Deji  
Mansion,No.188 ChangjiangRoad,Nanjing,China

Factory address:Building No.4,Qingxi industrial park  
phase two,HanshanCounty,Ma Anshan  
City,Anhui,China



+86-(0)25-84792033  
+86-138-13088384



emma.wu@einnova-solarline.com  
www.einnova-solarline.com